



ENTRE//MATIC



VALOR

IP2063EN- rev. 2013-02-13



EN Installation and maintenance
manual for sliding doors
for hospitals and
heavy sliding doors.
(Translation of the original instructions)



DITEC S.p.A.

Via Mons. Banfi, 3 - 21042 Caronno Pertusella (VA) - ITALY

Tel. +39 02 963911 - Fax +39 02 9650314

www.ditec.it - ditec@ditecva.com

ISO 9001
Cert. n° 0957

INDEX

Subject	Page
1. General safety precautions	3
2. Declaration of incorporation of partly completed machinery	4
2.1 Machinery Directive	4
3. Technical specifications	5
3.1 Operating instructions	5
4. Standard installation	6
5. VALORHH box fastening	7
6. VALORHS box fastening	9
7. VALORHH door wing installation and adjustment	11
8. VALORHS door wing installation and adjustment	12
9. Floor guide installation	13
10. Belt adjustment	14
11. Lock device installation	15
12. Connection of power supply	16
13. Routine maintenance plan	17
14. Operating instructions	19
14.1 General safety precautions	19
14.2 Manual release instructions	20
14.3 Function selector instructions	20

CAPTION



This symbol indicates instructions or notes regarding safety issues which require particular attention.



This symbol indicates informations which are useful for correct product function.



This symbol indicates instructions or notes intended for technical and expert personnel.



This symbol indicates operations not to be effected for not compromise the correct operation of the automation.



This symbol indicates options and parameters which are only available with the indicated item.



This symbol indicates options and parameters which are not available with the indicated item.

All right reserved

All data and specifications have been drawn up and checked with the greatest care. The manufacturer cannot however take any responsibility for eventual errors, omissions or incomplete data due to technical or illustrative purposes.

1. GENERAL SAFETY PRECAUTIONS



This installation manual is intended for qualified personnel only.

Installation, electrical connections and adjustments must be performed in accordance with Good Working Methods and in compliance with applicable regulations.

Before installing the product, carefully read the instructions. Bad installation could be hazardous. The packaging materials (plastic, polystyrene, etc.) should not be discarded in the environment or left within reach of children, as these are a potential source of hazard.

Before installing the product, make sure it is in perfect condition.

Do not install the product in an explosive environment and atmosphere: gas or inflammable fumes are a serious hazard risk.

Before installing the motors, make all structural changes relating to safety clearances and protection or segregation of all areas where there is risk of being crushed, cut or dragged, and danger areas in general.

Make sure the existing structure is up to standard in terms of strength and stability. The motor manufacturer is not responsible for failure to use Good Working Methods in building the frames to be motorized or for any deformation occurring during use.

The safety devices (photocells, safety edges, emergency stops, etc.) must be installed taking into account: applicable laws and directives, Good Working Methods, installation premises, system operating logic and the forces developed by the motorized door.

The safety devices must protect any areas where the risk exists of being crushed, cut or dragged, or where there are any other risks generated by the motorized door.

Apply hazard area notices required by applicable regulations.

Each installation must clearly show the identification details of the motorized door.



When necessary, connect the motorized door to a reliable earth system made in accordance with applicable safety regulations.

During installation, maintenance and repair, interrupt the power supply before opening the lid to access the electrical parts.

The protective casing of the automation must be removed by qualified personnel only.



To handle electronic parts, wear earthed antistatic conductive bracelets. The motor manufacturer declines all responsibility in the event of component parts being fitted that are not compatible with the safe and correct operation.

For repairs or replacements of products only original spare parts must be used. The installer shall provide all information relating to automatic, manual and emergency operation of the motorized door, and provide the user with operating instructions.

2. DECLARATION OF INCORPORATION OF PARTLY COMPLETED MACHINERY

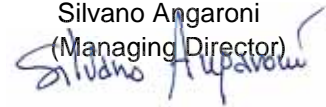
(Directive 2006/42/EC, Annex II-B)

The manufacturer DITEC S.p.A. with headquarters in Via Mons. Banfi, 3 - 21042 Caronno Pertusella (VA) - ITALY declares that the automation system for VALORHH-VALORHS sliding doors:

- has been constructed to be installed on a manual door to construct a machine pursuant to the Directive 2006/42/EC. The manufacturer of the motorized door shall declare conformity pursuant to the Directive 2006/42/EC (annex II-A), prior to the machine being put into service;
- conforms to applicable essential safety requirements indicated in annex I, chapter 1 of the Directive 2006/42/EC;
- conforms to the Low Voltage Directive 2006/95/EC;
- conforms to the Electromagnetic Compatibility Directive 2004/108/EC;
- technical documentation conforms to Annex VII-B to the Directive 2006/42/EC;
- technical documentation is managed by Renato Calza with offices in Via Mons. Banfi, 3 - 21042 Caronno Pertusella (VA) - ITALY;
- a copy of technical documentation will be provided to national competent authorities, following a suitably justified request.

Caronno Pertusella, 10-11-2010

Silvano Angaroni
(Managing Director)



2.1 Machinery Directive

Pursuant to Machinery Directive (2006/42/EC) the installer who motorizes a door or gate has the same obligations as the manufacturer of machinery and as such must:

- prepare the technical file which must contain the documents indicated in Annex V of the Machinery Directive; (The technical file must be kept and placed at the disposal of competent national authorities for at least ten years from the date of manufacture of the motorized door);
- draw up the EC Declaration of Conformity in accordance with Annex II-A of the Machinery Directive and deliver it to the customer;
- affix the EC marking on the motorized door in accordance with point 1.7.3 of Annex I of the Machinery Directive.

3. TECHNICAL DETAILS

	VALORHH	VALORHS
Power supply	230 V~ 50/60 Hz	230 V~ 50/60 Hz
Absorption	1 A	1 A
Maximum speed 1 wing	0.5 m/s	0.5 m/s
Maximum speed 2 wings	1.0 m/s	1.0 m/s
Service class	4 - INTENSE 5 - VERY INTENSE	4 - INTENSE 5 - VERY INTENSE 6 - CONTINUOUS
Intermittence	<i>class 4: S3=30%</i> <i>class 5: S3=60%</i>	<i>class 4: S3=30%</i> <i>class 5: S3=60%</i> <i>class 6: S3 = 100%</i>
Maximum load 1 wing	<i>class 4: 200 kg</i> <i>class 5: 160 kg</i>	<i>class 4: 200 kg</i> <i>class 5: 170 kg</i>
Maximum load 2 wings	<i>class 4: 200 kg</i> <i>class 5: 160 kg</i>	<i>class 4: 340 kg</i> <i>class 5: 300 kg</i>
Maximum load 1 wing (2 wheels carriage)	/	<i>class 5: 300 kg</i> <i>class 6: 220 kg</i>
Maximum load 2 wings (2 wheels carriage)	/	<i>class 5: 360 kg</i> <i>class 6: 300 kg</i>
Maximum load 1 wing (3 carriages)	/	<i>class 4: 450 kg</i> <i>class 5: 350 kg</i>
Maximum load 2 wings (3 carriages)	/	<i>class 4: 500 kg</i> <i>class 5: 400 kg</i>
Temperature	min +2 °C max +55 °C	min -20 °C max +55 °C
Temperature with batteries	min +2 °C max +50 °C	min -10 °C max +50 °C
Degree of protection	FOR INTERNAL USE ONLY	FOR INTERNAL USE ONLY
Control panel	EL32	EL32

3.1 Operating instructions

Service class: 4 (minimum 10÷5 years of working life with 100÷200 cycles per day).

Applications: INTENSE (for apartment block, commercial and healthcare entrances with intense pedestrian use).

Service class: 5 (minimum 5 years of working life with 600 cycles per day).

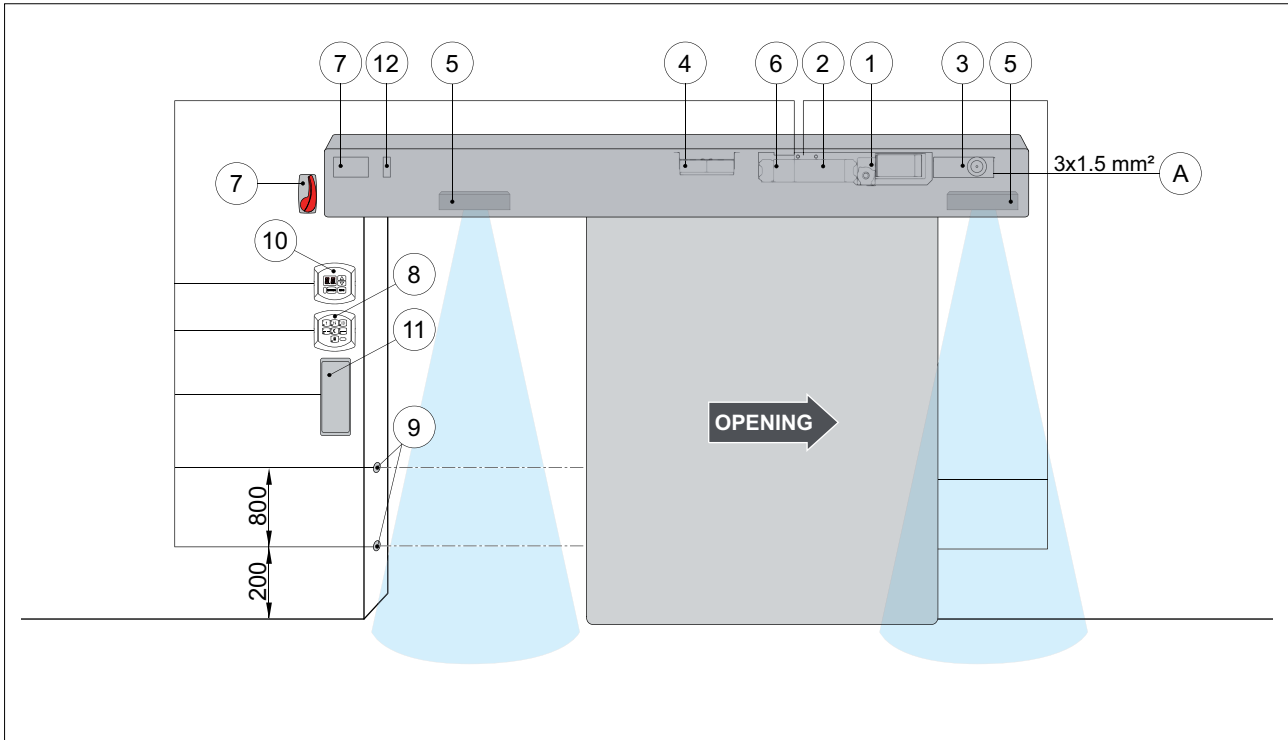
Applications: VERY INTENSE (for shared entrances with very intense pedestrian use).

Service class: 6 (minimum 5 years of working life with continuous use).

Applications: CONTINUOUS (for all special situations with continuous use).

- Performance characteristics are to be understood as referring to the recommended weight (approx. 2/3 of maximum permissible weight). When used with the maximum permissible weight a reduction in the above mentioned performance can be expected.
- Service class and the number of consecutive cycles are to be taken as merely indicative Having been statistically determined under average operating conditions, and are therefore not necessarily applicable to specific conditions of use.
- Each automatic entrance has variable elements such as: friction, balancing and environmental factors, all of which may substantially alter the performance characteristics of the automatic entrance or curtail its working life or parts thereof (including the automatic devices themselves). The installer should adopt suitable safety conditions for each particular installation.

4. STANDARD INSTALLATION

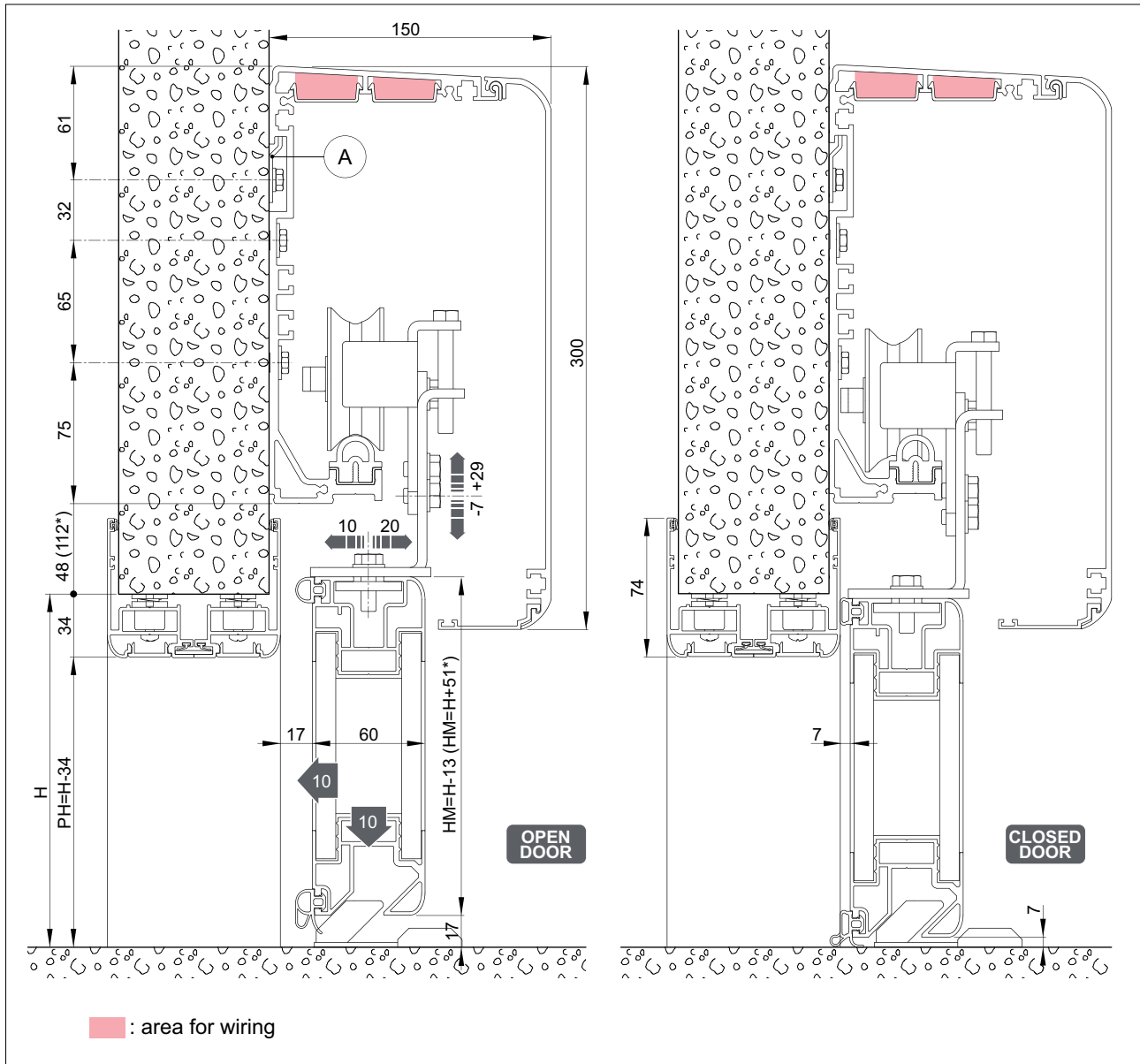


Ref.	Code	Description
1		Control and drive unit
2	EL32	Control panel
3	AL3	Power supply
4	VALHABC VALHABE	Continuous mode battery kit Emergency battery kit
5	PASAT3 PASAT3IH	External safety sensor Safety sensor built into automation (IP4X)
6	MP1	Accessory and supplementary functions connection module
7	VALHSLOK LOKSBM	Blocking device (VALORHS only) Release handle
8	COME COMH COMK	Function selector switch
9	CELPR	Photocells
10	MD1+MDA	Display module for diagnostics and advanced controls
11	PFP1 PFP2	Open button
12	VALHHFM	Magnetic door closed limit switch
A		Connect the power supply to an approved omnipolar switch with an opening distance of the contacts of at least 3mm (not supplied). The connection to the mains must be made via an independent channel, separated from the connections to command and safety devices.



NOTE: the given operating and performance features can only be guaranteed with the use of DITEC accessories and safety devices.

5. VALORHH BOX FASTENING



All of the measurements shown are expressed in millimetres (mm) unless otherwise indicated.

With the VALORHH automation units, when the door is at the completely closed position, it drops 10 mm and draws closer to the counter frame by 10 mm, causing the compression of the gaskets and thereby obtaining a hermetic seal.

In the figure there are the measurement units for wall installation of the VALORHH automation units, considering that the doors have been made of DITEC profiles series PAMH60.

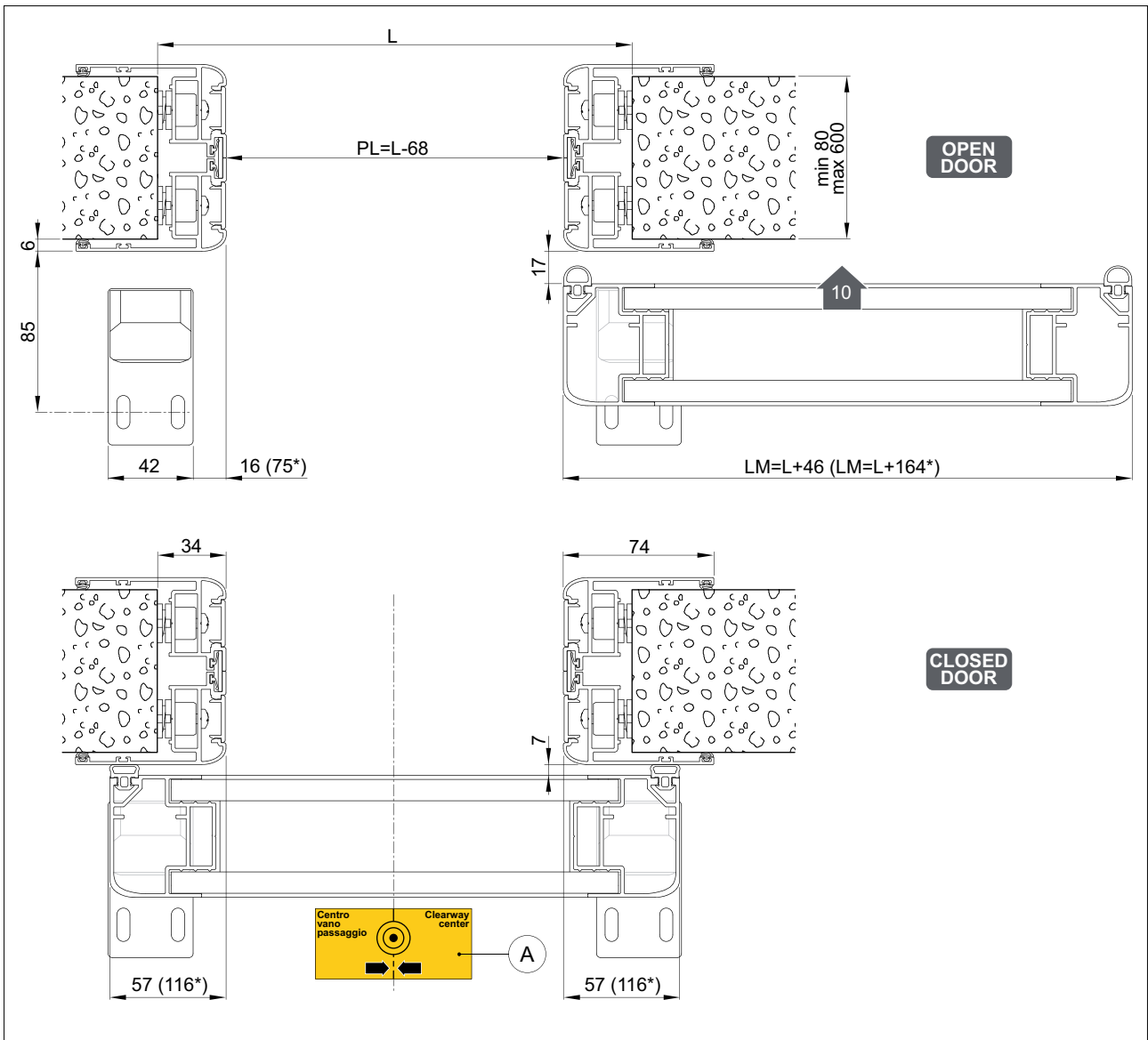
If the PAMH60 door wing has lead-shielding (e.g. radiology department) refer to the measurements marked [*]. Attach the box with M6Ø12 steel plug or else with 6MA screws. Distribute the attachment points at about every 800 mm.

To make installation easier, supplied mounting brackets [A] can be used.

Verify that the back of the box is perpendicular to the floor and not deformed in a longitudinal sense with respect to the form of the wall. If the wall were to be not perfectly straight and smooth it is necessary to arrange the attachment of metal plates to which the box will then be attached.

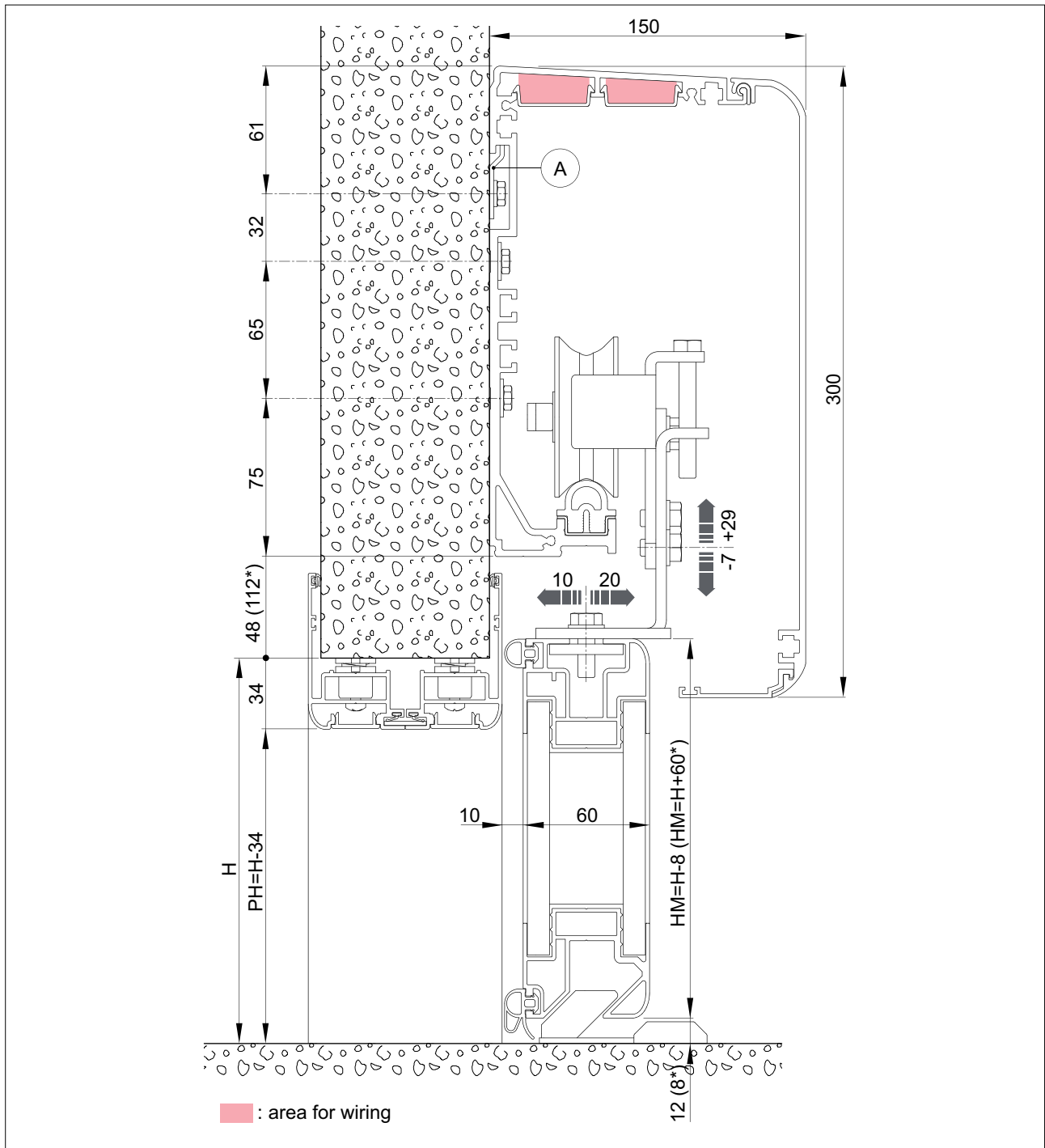


WARNING: the box must be securely fixed to the wall using a fastening that is suitable for the weight of the door wings.



! **WARNING:** fasten the automation to the wall so that the label [A] on the box coincides with the centre of the doorway.

6. VALORHS BOX FASTENING

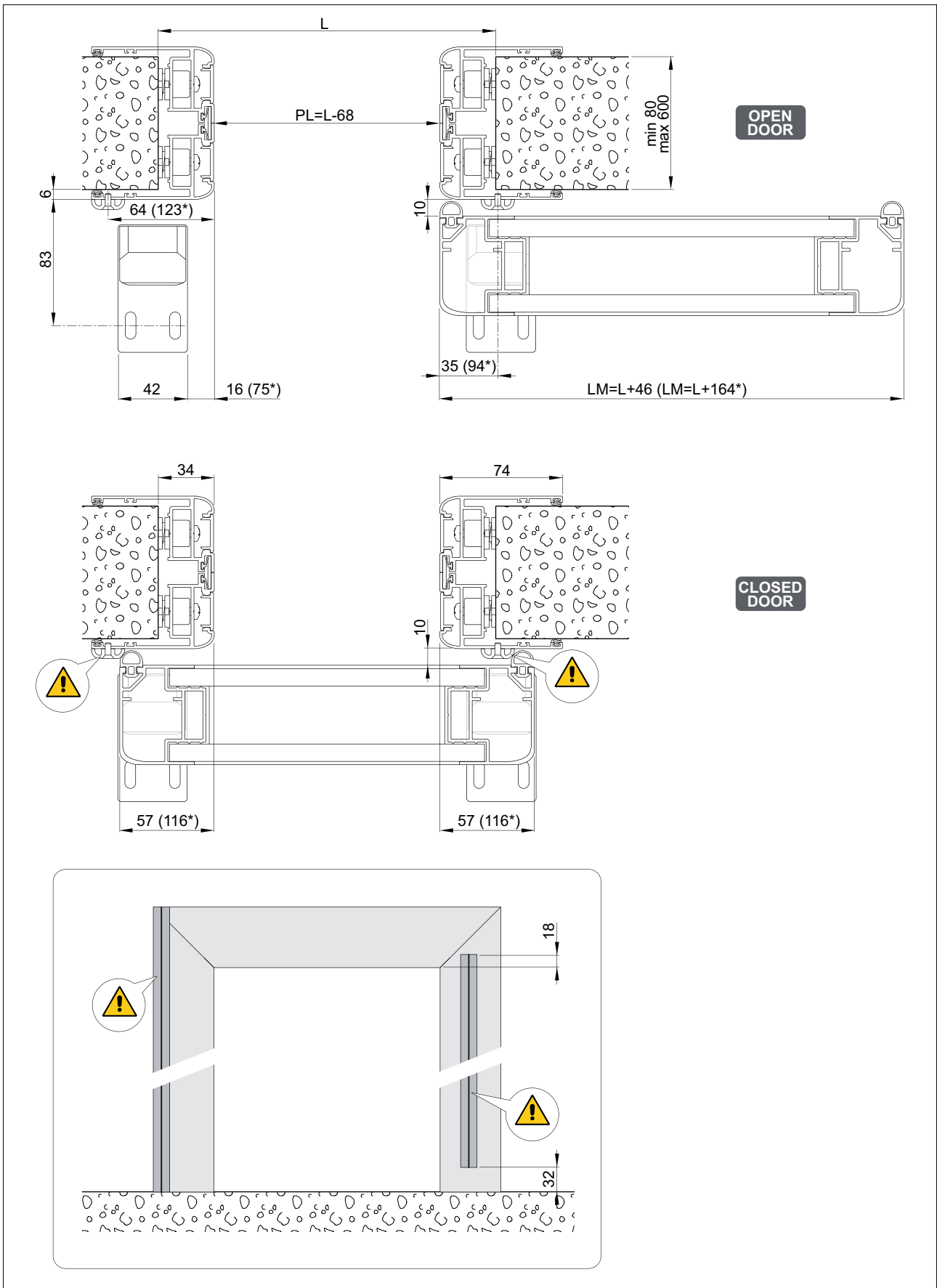


All of the measurements shown are expressed in millimetres (mm) unless otherwise indicated. In the figure there are the measurement units for wall installation of the VALORHS automation units, considering that the doors have been made of DITEC profiles series PAMH60. If the PAMH60 door wing has lead-shielding (e.g. radiology department) refer to the measurements marked [*]. Attach the box with M6Ø12 steel plug or else with 6MA screws. Distribute the attachment points at about every 800 mm.

To make installation easier, supplied mounting brackets [A] can be used. Verify that the back of the box is perpendicular to the floor and not deformed in a longitudinal sense with respect to the form of the wall. If the wall were to be not perfectly straight and smooth it is necessary to arrange the attachment of metal plates to which the box will then be attached.

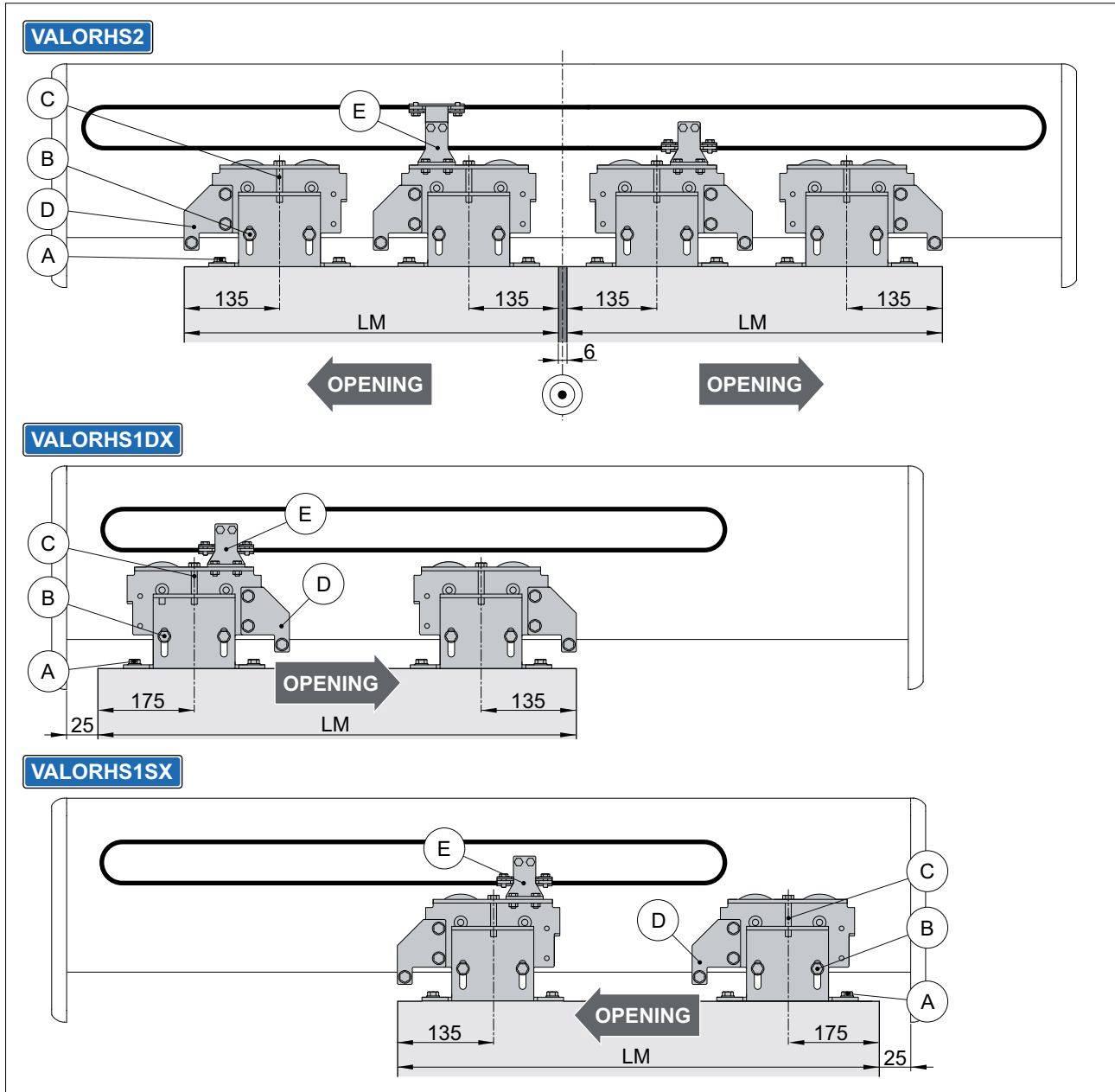


WARNING: the box must be securely fixed to the wall using a fastening that is suitable for the weight of the door wings.



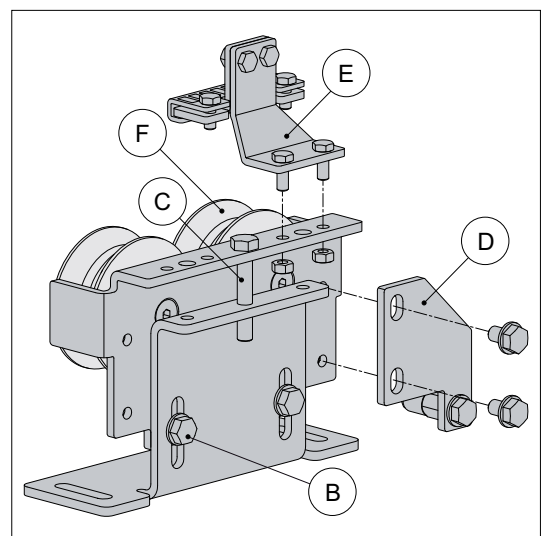
NOTE: the figure refers to doors that open to the right. For doors that open to the left, the position of the door stop profiles must be reversed.

8. VALORHS DOOR WING INSTALLATION AND ADJUSTMENT

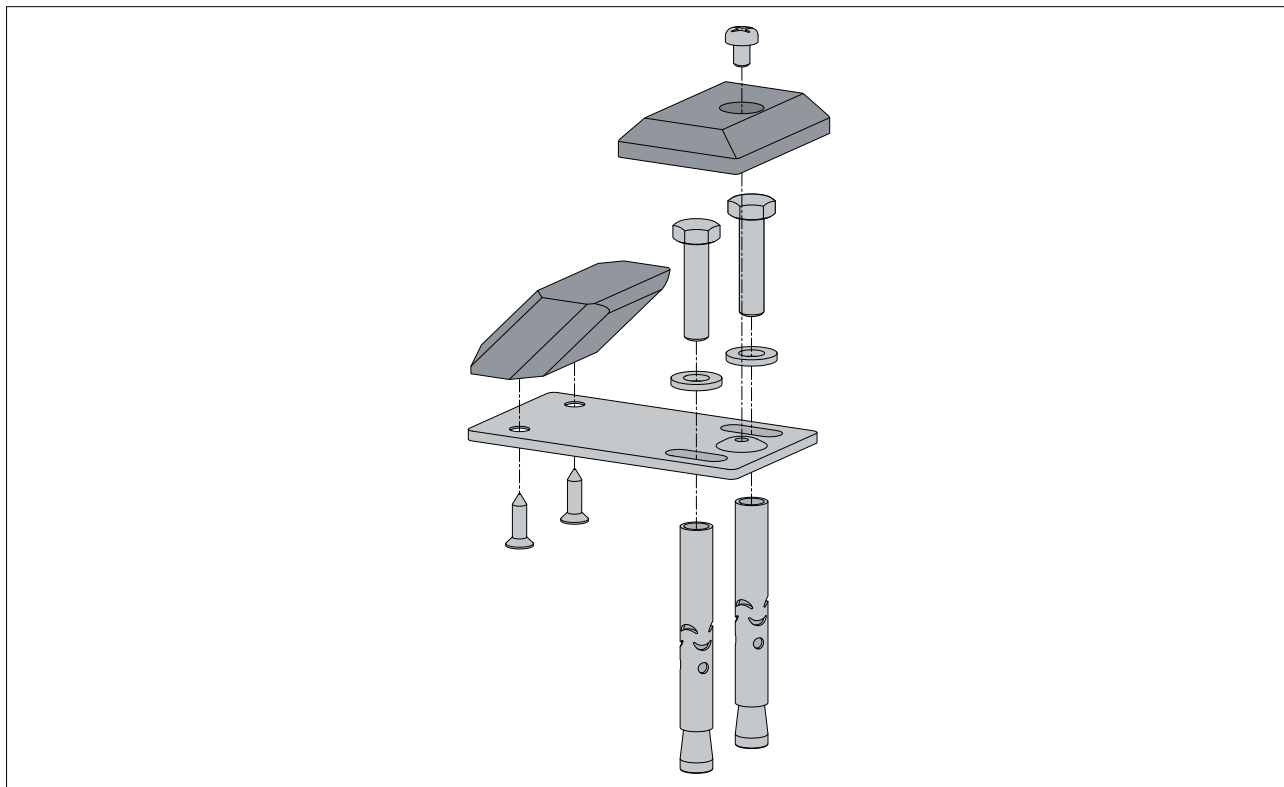


NOTE: if a second wheel [F] (KVALHS2RC kit) is added to increase the load bearing capacity of the automation, the adjustment screw [C] must be moved into a central position.

- Fix the carriages to the door wing using the screws [A] complying with the measurements shown in figure VALORHS2 for double-door wing automations, VALORHS1DX for single-door automations with opening to the right and VALORHS1SX for single-door automations with opening to the left.
- Fit the pre-assembled door wing to the automation.
- Assemble the anti-derailing bracket [D] as indicated and adjust it so that it does not rub against the anti-derailing bracket and the box.
- Loosen screws [B], adjust the vertical position of the door wing using screw [C] and fix the adjustment using screws [B].
- Move the door manually to check that it moves freely without friction.
- Fix the belt connecting bracket [E] to the carriage.



9. FLOOR GUIDE INSTALLATION

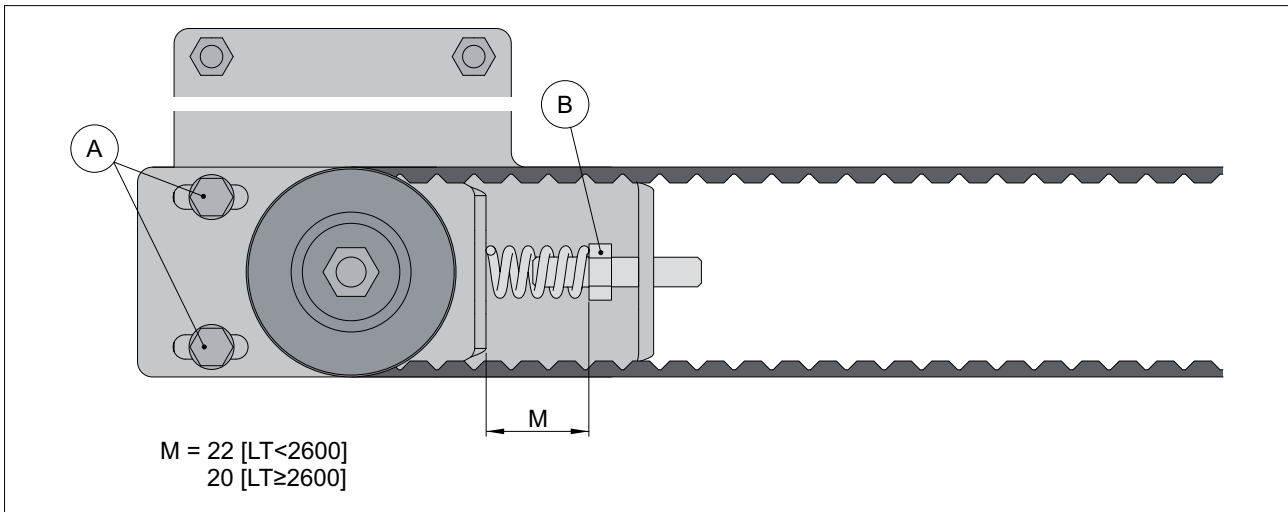


Install the floor guide for the PAMH60 door wing by complying with the measurements on page 8 [VALORHH], or on page 10 [VALORHS].



NOTE: with VALORHH automation units it is necessary to install 2 floor guides.

10. BELT ADJUSTMENT

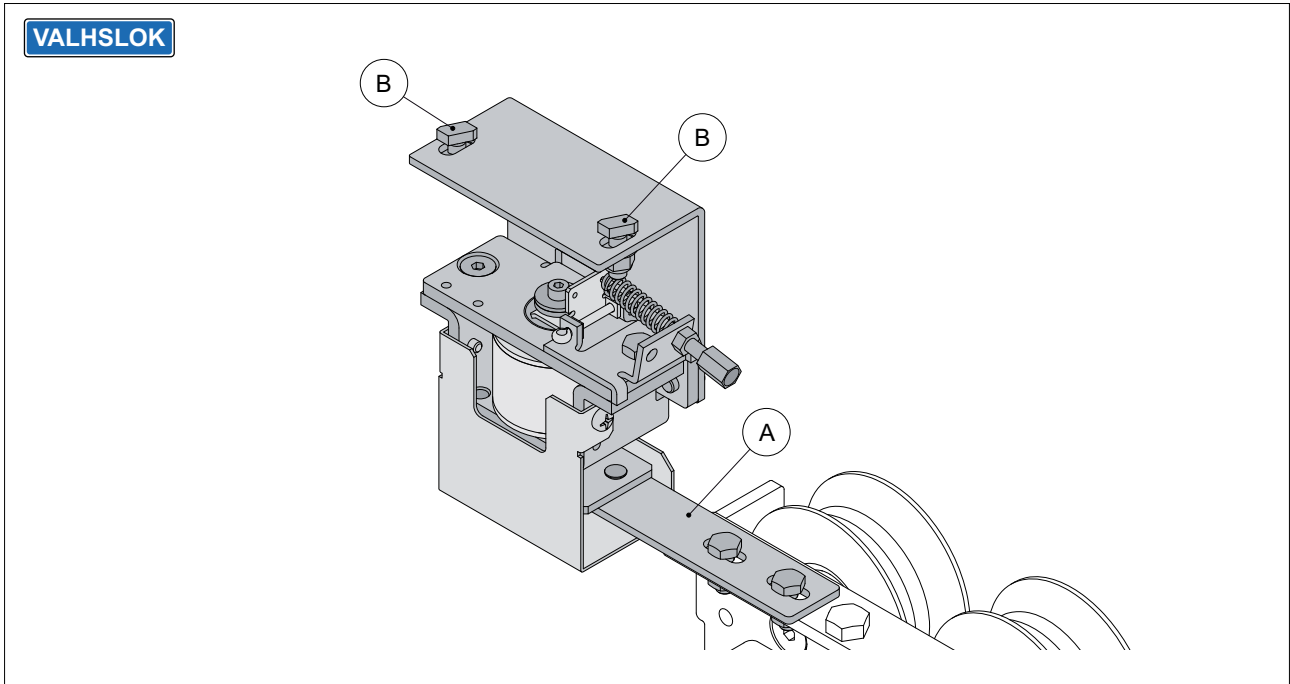


Loosen the screws [A], unscrew screw [B] until the spring compresses to 22 mm (if the length of the automation is less than 2600 mm) or 20 mm (if the length of the automation is more than 2600 mm).
Lock the adjustment by tightening screws [A].



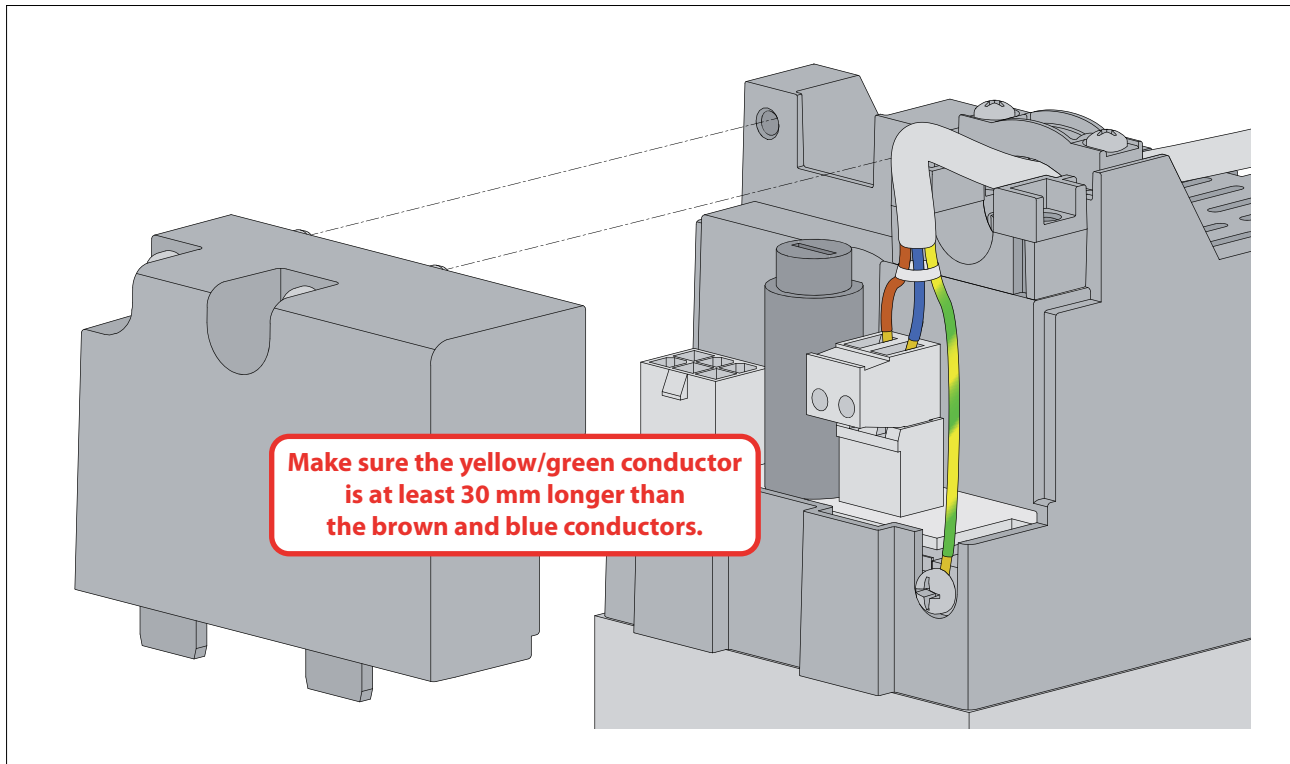
WARNING: an incorrect adjustment prejudices the correct operation of the automation unit.

11. LOCK DEVICE INSTALLATION



- Fix the block hook bracket [A] to the carriage.
- Bring the door wings to a closed position.
- Fasten the VALHSLOK blocking device (only on VALORHS automations) to the box profile using the screws [B] provided.
- Align the blocking pin and the block hook bracket [A] and manually check that it operates correctly.
- Lightly lubricate the blocking pin and the block hook bracket [A].

12. CONNECTION OF POWER SUPPLY



Before connecting the power supply, make sure the plate data correspond to that of the mains power supply.

An omnipolar disconnection switch with minimum contact gaps of 3 mm must be included in the mains supply. Check that upstream of the electrical installation there is an adequate residual current circuit breaker and a suitable overcurrent cutout.

Use a H05RN-F 3G1,5 or H05RR-F 3G1,5 type electric cable and connect to the terminals L (brown), N (blue), \oplus (yellow/green) in the automation. Make sure the yellow/green conductor is at least 30 mm longer than the brown and blue conductors.

Secure the cable using the special cable clamp and remove the outer sheath near the terminal only.

Connection to the mains power supply, in the section outside the automation, is made with independent channels and separated from the connections to the control and safety devices.

The channels must penetrate a few centimetres inside the automation through a hole maximum $\varnothing 16$ mm.

Make sure there are no sharp edges that may damage the power supply cable.

Make sure that the mains power supply (230 V) conductors and the accessory power supply (24 V) conductors are separate.

13. ROUTINE MAINTENANCE PLAN

Perform the following operations and checks every 6 months according to intensity of use of the automation.

Disconnect the 230 V~ power supply and batteries:

- Clean the moving parts (the carriage guides and the floor guides).
- Check the belt tension.
- Clean sensors and photocells.
- Check the stability of the automatic system and make sure that all screws are correctly tightened.
- Check the alignment of the doors, the closing positions and the correct introduction of the blocking device.

Reconnect the 230 V~ power supply and batteries:

- Check that the blocking system is working correctly.
- Check the stability of the door and that the movement is regular and without friction.
- Check that all control functions are operating correctly.
- Check that the photocells and safety sensors are operating correctly.
- Check that the door's developed powers are in accordance with applicable regulations.

On VALORHH automation with 160-200 kg door wing:

- Replace the carriage wheels every 3 years or 100,000 cycles.
- Replace the gearmotor every 5 years or 200,000 cycles.

On VALORHS automation with 360-500 kg door wing:

- Replace the gearmotor every 5 years or 500,000 cycles.



NOTE: for spare parts, see the spares price list.



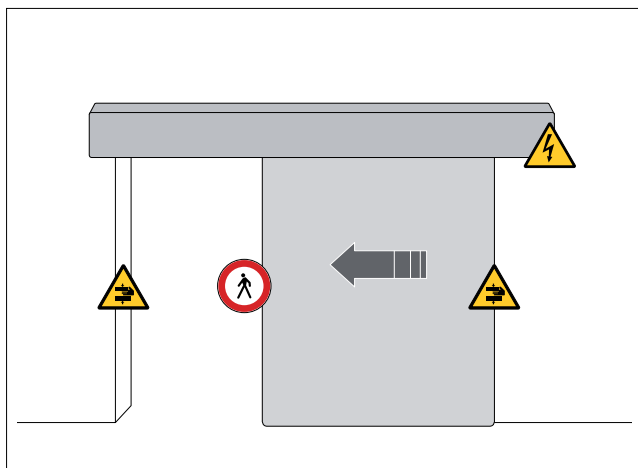
DITEC S.p.A. Via Mons. Banfi, 3 21042 Caronno P.Ia (VA) Italy Tel. +39 02 963911 Fax +39 02 9650314
www.ditec.it ditec@ditecva.com

DITEC BELGIUM LOKEREN Tel. +32 9 3560051 Fax +32 9 3560052 www.ditecbelgium.be **DITEC DEUTSCHLAND** OBERURSEL
Tel. +49 6171 914150 Fax +49 6171 9141555 www.ditec-germany.de **DITEC ESPAÑA** ARENYS DE MAR Tel. +34 937958399
Fax +34 937959026 www.ditecespana.com **DITEC FRANCE** MASSY Tel. +33 1 64532860 Fax +33 1 64532861 www.ditecfrance.com
DITEC GOLD PORTA ERMESINDE-PORTUGAL Tel. +351 22 9773520 Fax +351 22 9773528/38 www.goldporta.com **DITEC SWITZERLAND**
BALERNA Tel. +41 848 558855 Fax +41 91 6466127 www.ditecswiss.ch **DITEC ENTREMATIc NORDIC** LANDSKRONA-SWEDEN
Tel. +46 418 514 50 Fax +46 418 511 63 www.ditecentrematicnordic.com **DITEC TURCHIA** ISTANBUL Tel. +90 21 28757850
Fax +90 21 28757798 www.ditec.com.tr **DITEC AMERICA** ORLANDO-FLORIDA-USA Tel. +1 407 8880699 Fax +1 407 8882237
www.ditecamerica.com **DITEC CHINA** SHANGHAI Tel. +86 21 62363861/2 Fax +86 21 62363863 www.ditec.cn



DETACH AND DELIVER TO THE CUSTOMER

14. OPERATING INSTRUCTIONS



14.1 General safety precautions

The following precautions are an integral and essential part of the product and must be supplied to the user. Read them carefully since they contain important information on safe installation, use and maintenance.

These instructions must be kept and forwarded to all possible future users of the system.

This product must only be used for the specific purpose for which it was designed.

Any other use is to be considered improper and therefore dangerous. The manufacturer cannot be held responsible for any damage caused by improper, incorrect or unreasonable use.

This product should not be used by people (including children) with reduced physical, sensory or mental capabilities or lack of experience and knowledge unless they have been given supervision or instructions concerning the use of the appliance by a person responsible for their safety.

Avoid operating in the proximity of the hinges or moving mechanical parts.

Do not enter within the operating range of the motorized door while it is moving.

Do not block the movement of the motorized door since this may be dangerous.

Do not allow children to play or stay within the operating range of the motorized door.

Keep remote controls and/or any other control devices out of the reach of children in order to avoid possible involuntary activation of the motorized door.

In the event of fault or malfunctioning of the product, turn off the power supply switch, do not attempt to repair or intervene directly and contact only qualified personnel.


Failure to comply with the above may cause a dangerous situation.

All cleaning, maintenance or repair work must be carried out by qualified personnel.

To ensure that the system works efficiently and correctly, the manufacturer's indications must be complied with and routine maintenance of the motorized door must be performed by qualified personnel.

In particular, regular checks are recommended in order to verify that the safety devices are operating correctly.

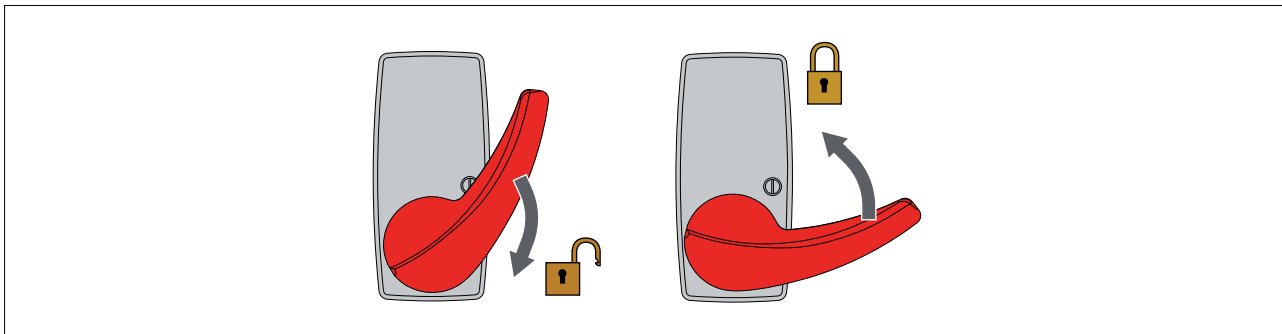
All installation, maintenance and repair work must be documented and made available to the user.

 For the correct disposal of electric and electronic equipment, waste batteries and accumulators, the user must take such products to the designated municipal collection facilities.



DETACH AND DELIVER TO THE CUSTOMER

14.2 Manual release instructions



In the event of maintenance, malfunctioning or emergency, pull the lock release lever LOKSBM down (if installed) and move the door wings manually into the open position.

To block the door wings again, reposition the lock release lever to the initial position.



WARNING: carry out the door wing blocking and release with the motor switched off.

14.3 Function selector instructions

The STOP position prevents batteries from engaging in case of emergency.

NOTE: the automation must be connected to the power supply at all times with the batteries connected (even at night) to ensure correct operating of the door and constant recharging of the batteries.

Selector functions	COME	COMH-COMK
CLOSED DOOR		--
TOTAL BI-DIRECTIONAL OPENING		↑↓
TOTAL MONO-DIRECTIONAL OPENING		↑
NIGHT-TIME CLOSURE (STOP)		☾
OPEN DOOR		--
PARTIAL OPENING		❄
POWER RESET		



DITEC S.p.A.
 Via Mons. Banfi, 3
 21042 Caronno Pertusella (VA) - ITALY
 Tel. +39 02 963911 - Fax +39 02 9650314
 www.ditec.it - ditec@ditecva.com

Installer:

SecuMatic
 AUTOMATISCHE DEUREN
 Regenbooglaan 8-2 3600 Genk
 info@secumatic.be
 089 81 14 46