



**Civik, Rex, Valor, Ten**

**Automations for  
straight-line sliding doors**



# DITEC automatic doors. A sign of distinction.

Comfort, safety, prestige, hygiene, appeal, access control and, in the case of air-conditioned areas, optimised energy consumption: these are just some of the advantages that you can have from an automatic door.

DITEC is a leading manufacturer of these functional and useful automations.

Today's life has made it more and more frequent and common to find doors that open when we get near them. Thanks to cutting-edge technology, superior quality of processes and materials, our automatic sliding doors, opening and closing smoothly and trouble-free, not only give the building something more in terms of look, novelty and appeal but they also make the life of the people using them more and more comfortable.

This is why having an automatic door is not only a question of image and adaptation to advanced technical solutions, it is also a sign of care for the people that come and go, in that it makes their life easier.

Automatic doors also provide an useful means to solve problems arising from architectural barriers.

DITEC constant commitment to study new solutions and offer the widest range of products to meet any customer requirement are a tangible reality.









# DITEC.

## A comprehensive and certified range.

DITEC offers the market the widest automation range available for straight-line sliding pedestrian doors, capable of satisfying any particular requirement or performance: from the high-opening speed automatic systems for high-traffic entrances, to the smooth and controlled motion systems for house installations. These automatic systems are easy to install and come in a variety of aesthetic solutions that can match any type of furniture.

DITEC also provides solutions with specially designed antipanic devices, designed to increase safety levels and to facilitate access to escape routes in emergencies. The following tables allow customers to select the most suitable automations for individual requirements and to check their comprehensive and advanced technical features.

### Civik

Ideal for next generation offices and private housing.

---

### Rex

Simple and versatile.

The very popular automation for commercial premises.

---

### Valor

The top of the range.

For the most demanding commercial applications  
(large shopping centres, airports).

For special applications in hospitals and atmospherically controlled environments.

---

### Ten

Reduced height automation: only 100 mm high.

Ideal for high-tech commercial fronts

---



# Civik

The ideal automation for glass, wooden or aluminium hide-away or sliding doors.

Suitable for next generation offices and private housing.

Glass walls and doors are a solution devised to meet the modern requirements of interior design: they smartly enhance the look of residential and work environments by giving the rooms they are located in more light and a more spacious feel.

Glass can be used to fit full dividing walls, moving walls and all types of doors, including sliding or hide-away doors, which add efficiency and comfort, specially in heavy traffic working environments.

Civik automation for sliding or hide-away doors is quiet and light, simple and versatile. It is very well suited for all frame types, from glass, to wood, to crystal, whose smart look is enhanced by a special connection system and a technology able to highlight the qualities of the material.

Civik features a range of functions and accessories, which enhance their efficiency and safety by controlling the operating mode and the door opening times, to allow reduced mobility people or cumbersome objects to go through, making sure the door can be fully operated even in the event of temporary power failure.

Civik is an Energy Saving automation thanks to its new generation electronic panel, which allows energy consumption to be optimised both in operating and stand-by modes.



# Technical specifications

## Technical specifications of models available

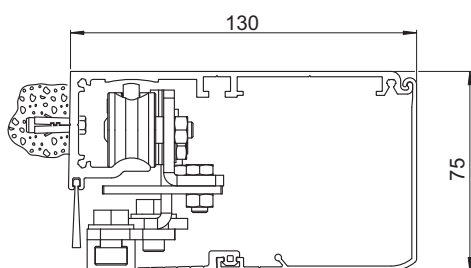
Features	CIVIK
Description	automation for internal sliding doors
Special uses	use by the disabled
Travel control system	encoder
Maximum capacity	60 kg (1 wing) / 80 kg (2 wings)
Duty class	4 – heavy duty
Intermittent operation	S2 = 20 min / S3 = 30%
Power supply	230 V~ / 50-60 Hz
Insulation class	class 1
Power input	0.2 A
Maximum opening speed	0.4 m/s (1 wing) / 0.8 m/s (2 wings)
Maximum closing speed	0.2 m/s (1 wing) / 0.4 m/s (2 wings)
Operating temperature	-20°C / +55°C
Protection rating	IP 20
Product dimensions (mm)	130 x 75 x L
Built-in control panel	EL06A

## Main system functions

Features	CIVIK
Control panel	EL06A
Mains power supply	230 V~ / 50-60 Hz
Energy saving	reduced consumption when in stand-by and in use
Number of motors	1
Motor power supply	24 V= / 1.8 A
Accessories power supply	24 V= / 0.3 A
Electrically operated lock	24 V= / 0.5 A
Encoder	/
ODS - Obstacle detecting system	/
Braking / Deceleration	/
Open control	/
Push opening	/
Close control	/
Automatic timed close control	/
Reverse operation safety device	/
Safety test facility	/



Civik - Vertical section





# Rex

Simple and adaptable.

For very heavy duty.

Easy assembly and multi-purpose applications make Rex a widely known automation. The traction unit and the electronic control panel in one block, make assembly time shorter.

Many components are in common with other automations of the DITEC line and this is a sure advantage for our customers.

## **Guaranteed functioning even without electricity**

A device with built-in batteries which ensures operation even in the event of a power failure.

## **Safe and noiseless**

Rex is provided with a 24 V DC motor, a microprocessor logic electronic control panel, an electronic impact-free device with encoder, a photocell device with amplifier, projector and receiver.

The casing is made of aluminium extrusion and traction is performed by means of a synthetic toothed belt.

Rex, like all the other DITEC automations can come with a complete range of original DITEC accessories for control and safety, in addition to the specific accessories included in the line.



# Technical specifications

## Technical specifications of models available

Features	REX - REX V
Description	automation for sliding doors
Special uses	elasticated anti-panic device
Travel control system	encoder
Maximum capacity	100 kg (1 wing) / 140 kg (2 wings)
Duty class	5 - very heavy duty
Intermittent operation	S3 = 100%
Power supply	230 V~ / 50-60 Hz
Insulation class	class 1
Power input	0.5 A
REX - Maximum opening speed	0.5 m/s (1 wing) / 1 m/s (2 wings)
REX V - Maximum opening speed	0.6 m/s (1 wing) / 1.2 m/s (2 wings)
REX - Maximum closing speed	0.35 m/s (1 wing) / 0.7 m/s (2 wings)
REX V - Maximum closing speed	0.6 m/s (1 wing) / 1.2 m/s (2 wings)
Release system for manual opening	handle type
Operating temperature	-20°C / +55°C (-10°C / +50°C with batteries)
Protection rating	IP 20
Product dimensions (mm)	100 x 190 x L
Built-in control panel	192C REX - EL16 REX V

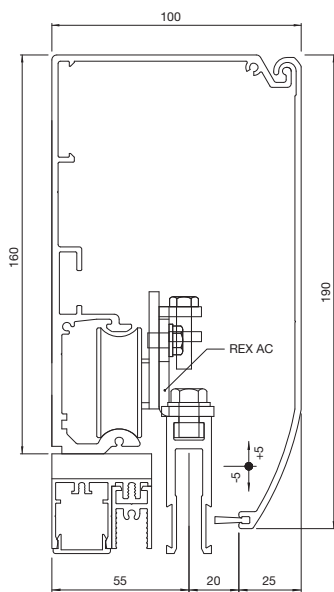
## Main system functions

Features	REX	REX V
Control panel	192 C	EL 16
Mains power supply	230 V~ / 50-60 Hz	230 V~ / 50-60 Hz
Batteries	/ (optional)	/ (optional)
Energy saving	reduced consumption when in use	reduced consumption when in use
Number of motors	1	1
Motor power supply	24 V= / 5 A	24 V= / 8 A
Accessories power supply	24 V= / 0.3 A	24 V= / 0.5 A
Electrically operated lock	24 V= / 1 A	24 V= / 1 A
Encoder	/	/
Force adjustment control		electronics
ODS - Obstacle detecting system	/	/
Speed adjustment		/
Braking / Deceleration	/	/
Open control	/	/
Push opening		/
Partly open control	/	/
Close control	/	/
Automatic timed close control	/	/
Stop safety device	/	/
Reverse operation safety device	/	/

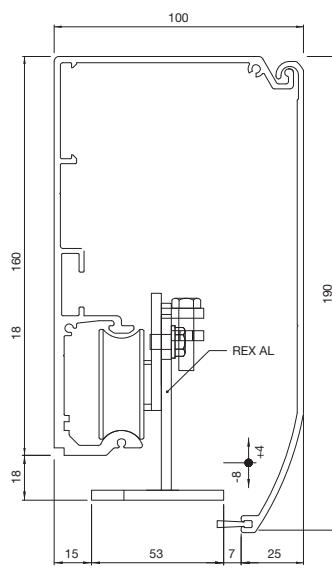




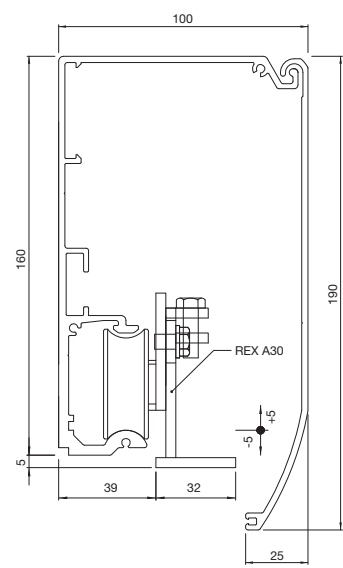
**Rex - Vertical sections with different types of wing connection**



REX AC



REX AI



REX A30

# Valor

The high-tech, exceptionally well designed top of the range.  
For continuous usage.

Valor is the straight sliding automatic door designed with great attention to details to meet the most demanding requirements for commercial applications.

Valor has gained a leading position in the marketplace as it features very advanced technologies, last generation electromechanical components, an innovative EL20 control panel, very quiet, smooth operation ensured by the new, vibration proof sliding guide.

Valor sliding door is specially suitable for very heavy duty, continuous use applications, such as in public areas, large shopping centres and airports, where the high traffic requires a more demanding operation compared to other locations.

In air conditioned rooms, Valor ensures better power consumption thanks to the automatic closing time and access opening auto set-up according to the number of people crossing the doors. In high pedestrian traffic areas, Valor increases the automatic opening time, whilst the transit opening can be partly opened if the number of people going through the door is not very high.

## Product Range

COMMERCIAL APPLICATIONS					SPECIAL APPLICATIONS		
Valor L	Valor P	Valor B	Valor N	Valor T	Valor H	Valor HS	Valor HH



New, comprehensive, solid, versatile and quiet.  
A wide array of functions.

**Designed to offer a versatile and comprehensive product, it features a range of exclusive, major features which make it suitable for the most diverse operating conditions:**

- **Advanced electronics**, thanks to the new electronic panel with all on-board basic settings and to the built-in photocell amplifier
- **Display** built in the head or wall mounted, which ensures all door parameters to be set:
  - a) to increase the settings available on the control panel,
  - b) to supply information on all/part of door operations,
  - c) to set up a maintenance alarm,
  - d) to view the operating diagnostics,
  - e) to set up a password,
  - f) to view the electronic panel firmware version,
  - g) to check the door status at any time and in any position
- **Automatic opening time auto set-up.** With high pedestrian traffic, the automation automatically increases the automatic opening time
- **Transit opening auto set-up.** With high pedestrian traffic, the automation automatically switches from partly to fully opened
- **Built-in safety sensors.** In all models, all sensors may be fitted under the guard, with clear aesthetic benefits
- **MP1 electronic PCB**, added to extend the control functions available
- **Quiet operation.** Thanks to the vibration proof seal located under the sliding guide, on all models The Valor range ensures a smoother operation
- **Self supporting facility** on all models (excluding VALOR L)
- **Equipped with a wide range of accessories.** Batteries with emergency or UPS facility can be selected, as well as a release system built in the automation (excluding the telescopic model) which may be matched to a wall mounted manual release system
- **Operating unit.** Monobloc control/drive system with direct current gear motor with encoder, control and monitoring panel, with new generation microprocessor based logic, which allows to remotely set up and control the automation from the display or a computer
- **On-board or remote control.** As well as being easily monitored by means of a remote monitoring system **DMCS** (Door Monitoring & Controlling System), the new Valor control panel, identical for all models, is connected to a **MD1 display** built in the head or wall mounted, to monitor and set up the following functions: diagnostics, maintenance alarm, opening setting, control panel function display
- **Dedicated frames.** All Valor automations have been designed to match the new **Ditec PAM 16/23/45/H60** profile series, but can also be used with current DITEC or commercially available profiles.

#### MD1 DISPLAY MODULE

Using the controls from the electronic panel
Password management
Electronic panel firmware version display
MP1, MD1 firmware version display
Total/partial operations display
Maintenance alarm setting
Safety, alarm and fault display
Automation status display
Automatic closing time and access opening auto set-up
Slow closing operation with faulty photocells
Partial to total opening automatic switching

#### PLUS MP1 MODULE

Accessory dedicated electrical connections
Manual closing control
Contact for opening key
Contact for closing key
Contact for people access visual/audio indicators
Dedicated connection for safety sensors equipped with safety test monitoring facility
General Purpose outputs
Output for spot light; Air blade power supply
Battery status monitoring facility with advanced test, to allow emergency opening

# Technical specifications

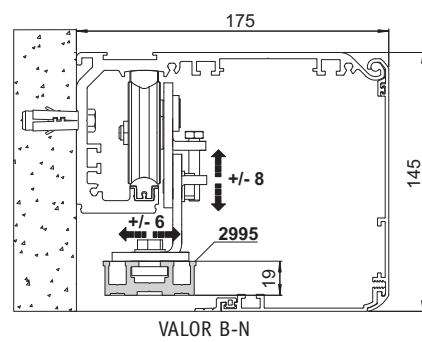
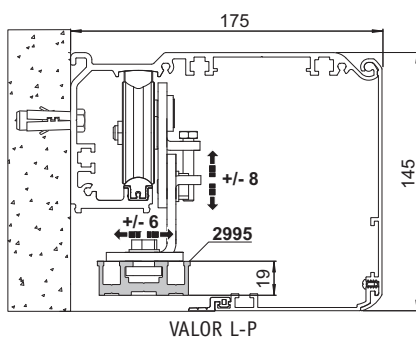
## Technical specifications of models available

Features	Valor L	Valor P	Valor B	Valor N	Valor T
Description	automation for sliding doors				automation for telescopic sliding doors
Special uses	breakout and redundant emergency exits, elasticated anti-panic device				redundant emergency exits, elasticated anti-panic device
Travel control system	encoder				
Capacity	100 kg (1 wing) 180 kg (2 wings)	120 kg (1 wing) 220 kg (2 wings) 100 kg (1 wing with breakout facility) 180 kg (2 wings with breakout facility)	120 kg (1 wing) 240 kg (2 wings)	120 kg (1 wing) 240 kg (2 wings)	200 kg (2 wings) 260 kg (4 wings)
Capacity with reinforced wheels			150 kg (1 wing) 300 kg (2 wings)		
Duty class	5 - very heavy duty			6 - continuous duty	
Intermittent operation	S3 = 100%				
Power supply	230 V~ / 50-60 Hz				
Power input	1 A	1 A (1.6 A with wing weight > 200 kg)			1 A
Maximum opening speed	0.8 m/s (1 wing) 1.6 m/s (2 wings)	0.8 m/s (1 wing) 1.6 m/s (2 wings) (0.6 m/s 1 wing with weight > 180 kg) (1.2 m/s 2 wings with weight > 180 kg)	0.8 m/s (1 wing) 1.6 m/s (2 wings) (0.6 m/s 1 wing with weight > 200 kg) (1.2 m/s 2 wings with weight > 200 kg)		0.8 m/s (2 wings) 1.6 m/s (4 wings)
Maximum closing speed	0.8 m/s (1 wing) 1.6 m/s (2 wings)	0.8 m/s (1 anta) 1.6 m/s (2 ante) 0.6 m/s (1 wing with weight > 180 kg) (1.2 m/s 2 wings with weight > 180 kg)	0.8 m/s (1 wing) 1.6 m/s (2 wings) (0.6 m/s 1 wing with weight > 200 kg) (1.2 m/s 2 wings with weight > 200 kg)		0.8 m/s (2 wings) 1.6 m/s (4 wings)
Release system for manual opening	with handle which may be built in the head				
Operating temperature	-20°C / +55°C (-10°C / +50°C batteries)				
Protection rating	IP20				
Product dimensions	175 x 145 x L				255 x 145 x L
Type approvals	TÜV			TÜV	TÜV
Built-in control panel	EL20				

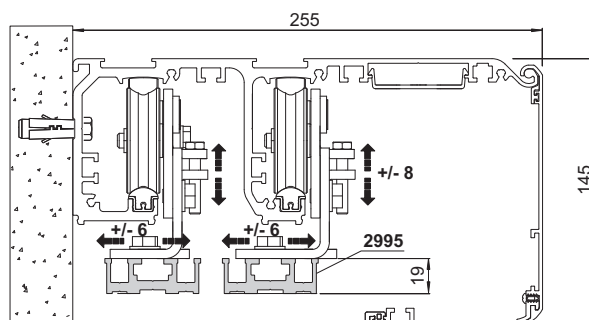




**Valor - Vertical sections**



**Valor T - Vertical section**



# Valor H

Also suitable for special environments.

Valor offers solutions specially suited for areas requiring specific features.

Valor is specially suited for:

- Controlled atmosphere environments (hospitals, clinics, rehabilitation clinics, mental hospitals, centres for disabled, rest homes, outpatient clinics, doctor's surgeries, dental surgeries, chemists, saunas, spas, health-beauty farms)
- Operating theatres
- Pharmaceutical and chemical companies
- White rooms
- Recording studios

**Valor H** is an automation for sealed doors, where the wing allows the door to be partly sealed (on both sides) with the same dimensions and performance as the Valor L range, but featuring a different guard, suitable for special applications.

**Valor HS** is a similar automation, but with higher capacities.

**Valor HH** is an automation with a airtight seal on 4 sides, where the door wing, when closing, moves downwards and sideways to compress the seal on the perimeter stile.

The automation has been designed to ensure that, during the closing operation, the wing moves by 10x10 mm.





The following features are unique to Valor H automations:

### Very quiet operation

The very quiet operation of the door, ensured in all version by the vibration proof seals, make this automation ideal for environment where comfort is paramount: for example, doctor surgeries, spas and health farms need to be very cosy, comfortable and efficient to ensure the psycho-physical well being of their patients. Recording studios require the highest level of silence.

### Highest hygiene levels

The rounded casing avoid dust build up and makes it easier to clean it. This feature, as well as the wide range of accessories available, makes the automation ideal for hospitals and rest homes. Automatic doors must ensure freedom of movement whilst ensuring total hygiene and safety both for patients and hospital staff, by complying with sterile regulations in operating theatres and avoiding door handling. Valor meets all these requirements.

### Highest safety levels

The automation can be fitted with safety sensors. This facility ensures the highest safety levels for the transit opening and the wing opening operation. Safety is an essential feature when stretchers, litters and wheelchairs go through the door, as they may not be detected by conventional photocells.

### Highest capacity

Version HS high capacity allows heavy or heavy duty door wings to be automated, specially in the case of lead-lined doors fitted to X-rays rooms.

### Highest usability level

All versions can be fitted with a SS guard.

# Technical specifications

## Technical specifications of models available

Features	VALOR H	VALOR HS	VALOR HH
Description	automation for sliding doors	automation for heavy sliding doors	automation for airtight sliding doors
Travel control system	encoder		
Capacity	100 kg (1 wing) / 180 kg (2 wings)	300 kg (1 wing) / 360 kg (2 wings) with the addition of a 2nd wheel kit	200 kg (1 wing) / 200 kg (2 wings)
Duty class	5 - very heavy duty	6 - continuous duty (1 wing < 220 kg / 2 wings < 300 kg) 5 - very heavy duty	5 - very heavy duty (1 wing < 160 kg / 2 wings < 160 kg) 4 - heavy duty
Intermittent operation	S3 = 100%	class 6: S3 = 100% class 5: S2 = 60 min / S3=60%	class 5: S2 = 60 min / S3 = 60% class 4: S2 = 20 min / S3 = 30%
Power supply	230 V~ / 50-60 Hz		
Power input	1 A		
Maximum opening speed	0.8 m/s (1 wing) / 1.6 m/s (2 wings)	0.5 m/s (1 wing) / 1.0 m/s (2 wings)	
Maximum closing speed	0.8 m/s (1 wing) / 1.6 m/s (2 wings)	0.5 m/s (1 wing) / 1.0 m/s (2 wings)	
Release system for opening	handle type		
Operating temperature	-20°C / +55°C (-10°C / +50°C batteries)		+2°C / +55°C (+2°C / +50°C batteries)
Protection rating	IP20		
Product dimensions (mm)	175 x 145 x L	150 x 300 x L	
Type approvals	TÜV		
Control panel	EL20	EL32	

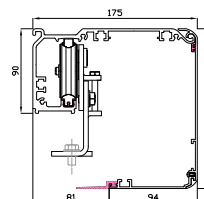
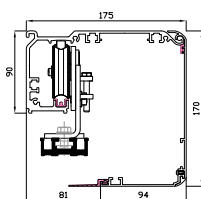
# Valor and Valor H

## Main system functions

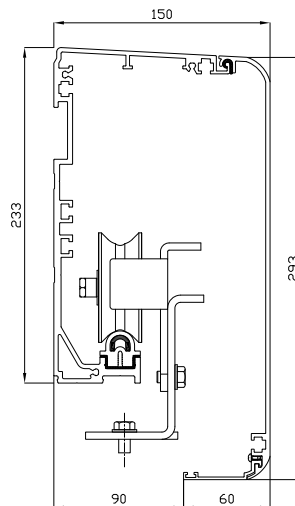
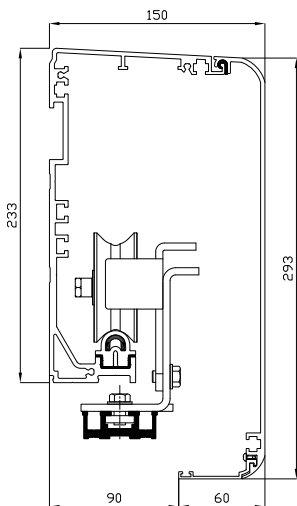


Features	VALOR - VALOR H	VALOR HS - VALOR HH
Control panel	EL20	EL32
Mains power supply	230 V~ / 50-60 Hz	230 V~ / 50-60 Hz
Batteries	/ (optional)	/ (optional)
Energy saving	reduced consumption when in use	reduced consumption when in use
Number of motors	1	1
Motor power supply	24 V= / 10 A	24 V= / 15 A
Accessories power supply	24 V= / 0.5 A	24 V= / 0.5 A
Electrically operated lock	24 V= / 1 A	24 V= / 1 A (Valor HS)
Courtesy light	/ (with MP1)	/ (with MP1)
Encoder	/	/
Force adjustment control	electronics	electronics
ODS - Obstacle detecting system	/	/
Speed adjustment	/	/
Braking / Deceleration	/	/
Open control	/	/
Push opening	/	/
Partly open control	/	/
Close control	/ (optional with MP1)	/ (optional with MP1)
Automatic timed close control	/	/
Stop safety device	/	/
Reverse operation safety device	/	/
Safety test facility	/	/
Built-in photocell amplifier	/	

### Valor H - Vertical sections



### Valor HS - HH - Vertical sections



# Ten

Automatic architecture.

Nowadays, planning buildings with technological facades has become a common reality.

Automatic doors should obviously conform to this new reality in aesthetic terms, so as to be perfectly integrated in the technological structure, as well as in qualitative terms.

Ten is the new DITEC automation specifically engineered to satisfy the new architectural and application requirements.

Practicality and quick installation.

Structural imperfections are not a problem thanks to its vertical travel.

The new architecture requires more than beauty. In fact, as a consequence of technological innovation, house building formulas have completely changed and building yards themselves have become a place where products are not only manufactured, but also assembled and finished.

Despite its thin structure, Ten allows to have up to a 12 mm vertical adjustment, thanks to its special but simple internal translation components.

This gives Ten a very important advantage because it allows to make up for floor unevenness and thermal expansion typical of building metal components, thus making installation trouble-free.

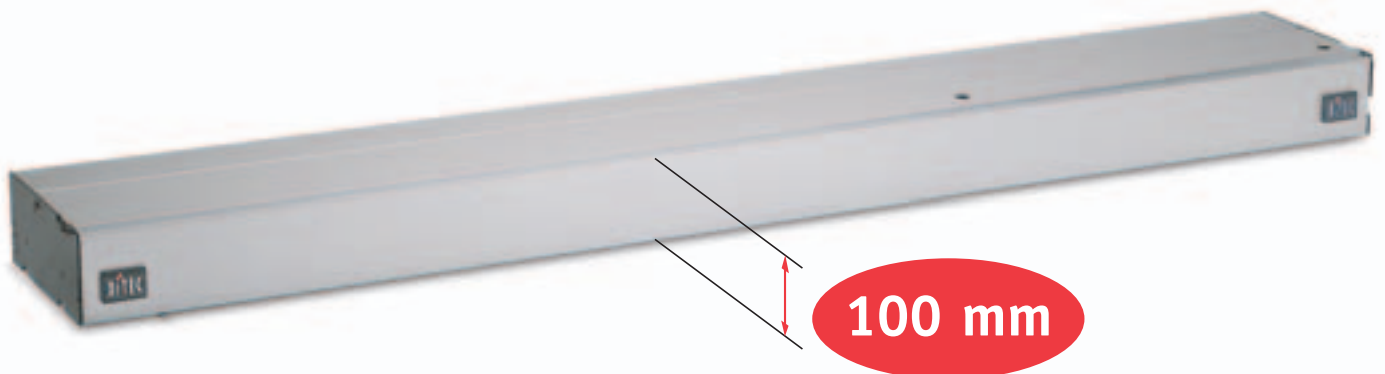
## Functionality

Modern and technological, Ten is characterised by three major, general features:

- Its casing is only 100 mm high
- It can be adjusted vertically up to 12 mm
- Its casing can be assembled in two separate parts to be joined.

## Geometrical and neat appearance

The automation is enclosed in a functional, elegant and simple aluminium cover, only 100 mm high, which perfectly and almost invisibly combines with the structural system of the building components.



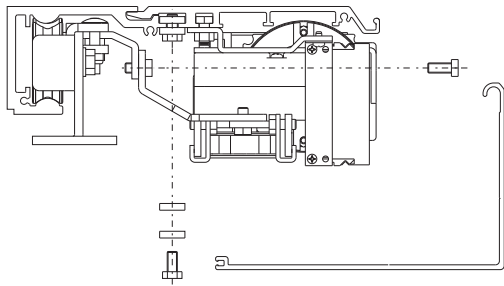
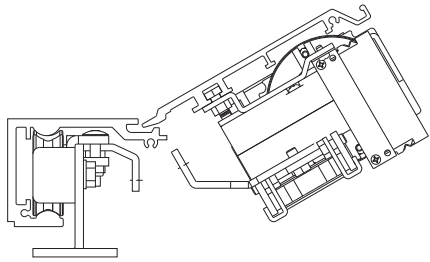
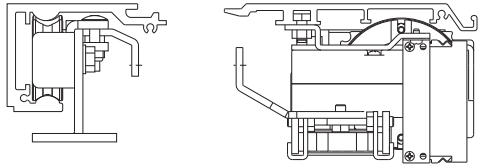
## Two-part casing simple to join. Difficult to be easier

The elegant cover is divided into two anodised aluminium sections to be joined in sequence with a very simple movement.

Trolleys and wheels are housed in the first section and the door mobile wings are attached to them. This allows easy wing installation and adjustment, as there are no hindrances typical of very low automations. The drive unit - which consists of the gear motor, the electronic control panel and the transformer already mounted onto a single bracket to facilitate installation - is housed in the second section. Wiring is orderly enclosed in a raceway obtained in the aluminium section.

Ten automation has been engineered to facilitate installation and to enable installers to work trouble-free. The redundant version, tested and approved for escape routes, is available.

## Ten - Installation sequence



# Technical specifications

## Technical specifications of models available

Features	TEN
Description	automation for sliding doors
Special uses	breakout and redundant emergency exits
Travel control system	encoder
Maximum capacity	100 kg (1 wing) / 200 kg (2 wings)
Capacity with reinforced wheels	120 kg (1 wing) / 200 kg (2 wings) / 100 kg (1 wing with breakout facility)
Duty class	5 - very heavy duty
Intermittent operation	S3 = 100%
Power supply	230 V~ / 50-60 Hz
Insulation class	class 1
Power input	1 A
Maximum opening speed	0.8 m/s (1 wing) / 1.6 m/s (2 wings)
Maximum closing speed	0.8 m/s (1 wing) / 1.6 m/s (2 wings)
Release system for manual opening	handle type
Operating temperature	-20°C / +55°C (-10°C / +50°C batteries)
Protection rating	IP 20
Product dimensions (mm)	225 x 100 x L
Built-in control panel	EL16

## Main system functions

Features	TEN
Control panel	EL16
Mains power supply	230 V~ / 50-60 Hz
Batteries	/ (optional)
Energy saving	reduced consumption when in use
Number of motors	1
Motor power supply	24 V= / 8 A
Accessories power supply	24 V= / 0.5 A
Electrically operated lock	24 V= / 1 A
Encoder	/
Force adjustment control	electronics
ODS - Obstacle detecting system	/
Speed adjustment	/
Braking / Deceleration	/
Open control	/
Push opening	/
Partly open control	/
Close control	/
Automatic timed close control	/
Stop safety device	/
Reverse operation safety device	/



# Accessories

Each automation system should be completed with control and safety devices compatible with all the components of the automation and complying with regulations in force.

DITEC offers premium quality products and accessories, which satisfy any requirement.

## Function program selectors with and without key lock.

**COM** are the new electronic, mechanical and analogue program selectors designed to select and set desired operation modes for one or more automatic doors.

Suitable both for sliding and swing doors by simply replacing the frontal keypad, which is usually supplied with the product.

Recognition of the type of automation it is connected to is completely automatic.



COM E



COM EL

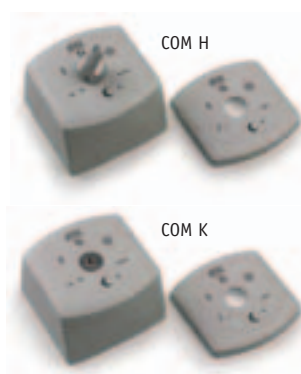
### COM E

COM E is the digital electronic selector switch specially designed to set up the 94 type electronic panel operating modes, to control one or more VALOR and TEN automations. It consists of a unit fitted with a microcontroller, with a front keyboard and a LED indicator.

It can be wall, surface mounted or recessed, and has been designed in a format compatible with the square shape of switches and power sockets.

#### Operating modes:

- COM E allows up to 4 doors to be set up in the same operating mode.
- Two COM E can be connected on the same automation.
- COM EL is also available: a practical, useful and colour matched accessory designed to externally block the door with a key.



COM H

COM K

### COM H and COM K

These are the new function rotary program selectors for automatic door operation mode setting.

Available in two versions, with actuation by handle (COM H) or by key (COM K), these are both provided with a double interchangeable frontal keypad, for sliding or swing doors.

The control instrument is a 6-position rotary electromechanical changeover switch.

These units as well have provision for wall fastening, surface or flush mounting, and their size is perfectly compatible with switch and socket square standard.



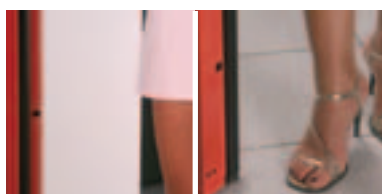
COM GTC

COM GT

### COM G and COM GC

These are the new radio controlled selector switches used to set up the operating modes of automatic doors. Available in the COM G version, with 8 door status selecting modes, and in the COM GC version, specifically designed for CIVIK automation, with 6 door status ad open and close control mode selection modes.

## Safety photocells.



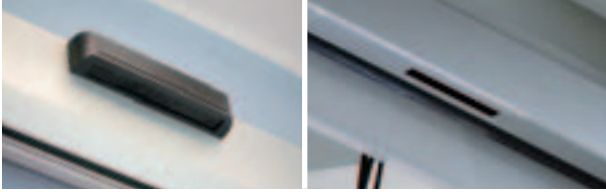
These photocells provide greater control during detection of possible obstacles.

They are practical and almost invisible and can be positioned at different heights.

## Volumetric sensors.

These are advanced electronic systems, which detect presence or passage of people in a specific area facing the entrance and have the function to control door opening and closing, and to ensure safe passage.

## Safety area sensors.



PAS AT3 is an active infrared sensor able to monitor a person approaching or standing by the door, with the option to control the width and depth of the detection area, as well as how much and frequently it is being used. Available in the recessed version, built in the VALOR automation, or wall mounted.

## Control area sensors.



### Infra-red active sensors

Wide range of functions:

- detection area width and depth adjustment
- application level adjustment
- functional sensitivity adjustment
- people detection time adjustment



### Passive, infra-red sensors

These have the following features:

- sensitivity adjustment and opening selection
- opening field zoom adjustment



### Microwave sensors

This is a volumetric, one- or two-direction system, which can be fitted on walls or on the ceiling through its bearing. Accurate motion detection. Parameters can be modified even from a distance by means of a remote control.

## Push-buttons for disabled use.



Painted or SS elbow-shaped rectangular push-buttons.

Push-buttons for door opening in public environments or for disabled use. Recessed mounted on aluminium profiles or surface mounted by means of a special casing.

## Control buttons.



Door opening is by means of press or touch buttons.

## Sensitive floor mats.



These mats can be positioned under carpets to detect presence and control door opening.

## Digital or key selectors.



These selectors allow access to authorised people only. They can be fitted both indoors and outdoors. Can have a key version and a vandal-proof keypad.

## Opening contact sensors or transponder technology control sensors.



These sensors enable door opening through buttons or codified cards. They are the ideal solution to automate entrances in companies or private buildings wherever access should be allowed to authorised people only.

# Standards

The system has been manufactured by using only DITEC manufactured accessories and safety devices.

All DITEC automations have the CE marking and are designed and manufactured in compliance with Machine Directive (2006/42/EC), EMC Directive (2004/108/EC) and Low Voltage Directive (2006/95/EC) safety requirements, as well as with other specific Directives, laws and standards relating to particular products and circumstances.

DITEC S.p.A. operates a policy of continuous development and reserves the right to make changes and improvements to their products.

DITEC S.p.A. are always striving to improve their products. The technical data contained within this document is therefore not binding.

The pictures shown in this brochure have been taken with the owners' approval or in public areas and carried out by Ditec staff. It is strictly forbidden to use such pictures without Ditec's approval.

The pictures sometimes show optional accessories.

Further information can be found in our on-line Technical Manuals at: [www.ditec.it](http://www.ditec.it)

**SecuMatic**  
 AUTOMATISCHE DEUREN  
 Regenbooglaan 8-2 3600 Genk  
 089 81 14 46 | [info@secumatic.be](mailto:info@secumatic.be)



### DITEC S.p.A.

Via Mons. Banfi, 3 - 21042 Caronno Pertusella (VA) - ITALY  
 Tel. +39 02 963911 - Fax +39 02 9650314  
[www.ditec.it](http://www.ditec.it) - [ditec@ditecva.com](mailto:ditec@ditecva.com)



ISO 9001  
 Cert. n° 0957

**DITEC BELGIUM**  
**DITEC DEUTSCHLAND**  
**DITEC ESPAÑOLA**  
**DITEC FRANCE**  
**DITEC GOLD PORTA**  
**DITEC SVIZZERA**  
**DITEC AMERICA**  
**DITEC CHINA**  
**DITEC TURCHIA**

LOKEREN  
 OBERURSEL  
 ARENYS DE MAR  
 PALAISEAU  
 ERMESINDE-PORTUGAL  
 BALERNA  
 ORLANDO-FLORIDA-USA  
 SHANGHAI  
 ISTANBUL

Tel. +32 9 3560051  
 Tel. +49 6171 914150  
 Tel. +34 937958399  
 Tel. +33 1 64532860  
 Tel. +351 22 9773520  
 Tel. +41 848 558855  
 Tel. +1 407 8880699  
 Tel. +86 21 62363861/2  
 Tel. +90 21 28757850

Fax +32 9 3560052  
 Fax +49 6171 9141555  
 Fax +34 937959026  
 Fax +33 1 64532861  
 Fax +351 22 9773528/38  
 Fax +41 91 6466127  
 Fax +1 407 8882237  
 Fax +86 21 62363863  
 Fax +90 21 28757798

[www.ditecbelgium.be](http://www.ditecbelgium.be)  
[www.ditec-germany.de](http://www.ditec-germany.de)  
[www.ditecespanola.com](http://www.ditecespanola.com)  
[www.ditecfrance.com](http://www.ditecfrance.com)  
[www.goldporta.com](http://www.goldporta.com)  
[www.ditecswiss.ch](http://www.ditecswiss.ch)  
[www.ditecamerica.com](http://www.ditecamerica.com)  
[www.ditec.cn](http://www.ditec.cn)  
[www.ditec.com.tr](http://www.ditec.com.tr)